

UNION STEAM

OSB/T

Oil-fired Steam Boilers

- Factory tested
- Easy service
 - Swing-away burner door
 - Low draft loss
 - Top access cleanout cover
 - Plug-in wiring harness
- High efficiency oil burner
 - Flame retention head design
 - Solenoid valve
 - PSC motor
 - Solid state ignitor
- Rear flue outlet
- Cast iron sections with built-in air separator
- Insulated heavy-gauge steel jacket
- Limited lifetime warranty

- Factory-packaged
- 1.00 to 2.00 GPH Input
- Optional tankless heater



U.S. UNION STEAM

RATINGS



Boiler model number	I=B=R burner capacity	DOE heating capacity	Net I=B=R steam ratings		DOE seasonal efficiency	Flue outlet size	Minimum I=B=R Chimney (x 15' high)		Boiler water content	Draft loss through boiler
	GPH ①	MBH ②	Sq. Ft. ③	MBH ③	% AFUE	(Round)	Rectangle	Round	(Gallons @ normal waterline)	Inches W.C.
OSB-3-100	1.00	116	363	87	82.1	7"	8" x 8"	6"	10.7	.000
OSB-4-110	1.10	129	404	97	82.0	7"	8" x 8"	6"	12.5	.010
OSB-4-125	1.25	145	454	109	81.7	7"	8" x 8"	6"	12.5	.010
OSB-5-135	1.35	158	492	119	81.5	7"	8" x 8"	7"	14.2	.010
OSB-5-150	1.50	175	546	131	81.4	7"	8" x 8"	7"	14.2	.010
OSB-6-175	1.75	204	638	153	81.1	7"	8" x 8"	7"	16.0	.000
OSB-6-200	2.00	232	725	174	81.4	7"	8" x 8"	7"	16.0	.015



① Based on 140,000 Btuh per gallon, #2 fuel oil.
 ② Based on standard test procedures prescribed by the United States Department of Energy, with combustion conditions of 13% CO₂ and -0.02" W.C. draft.

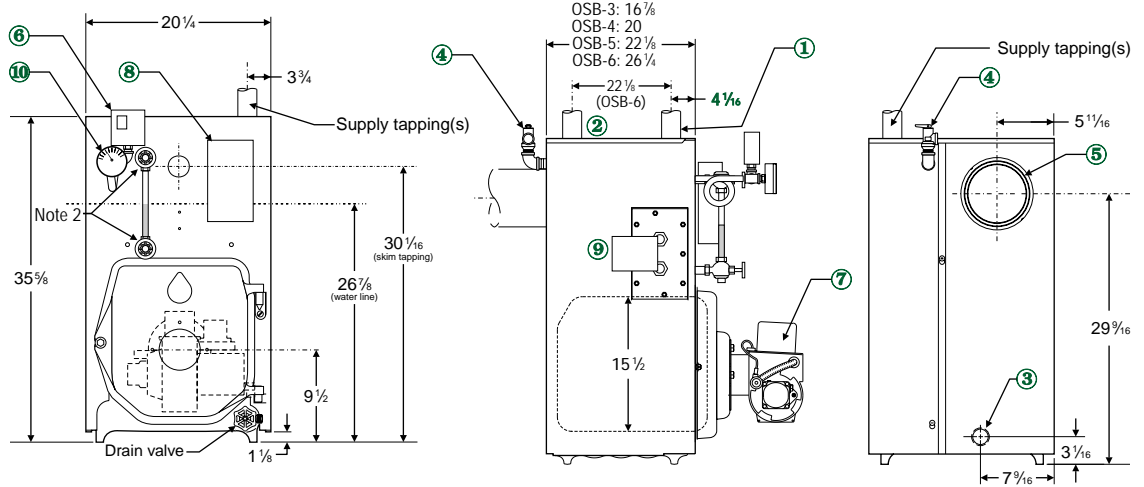
③ Net I=B=R ratings are based on net installed radiation of sufficient quantity for the requirements of the building and nothing need be added for normal piping and pickup. Ratings are based on a piping and pickup allowance of 1.333. Additional allowance should be made for unusual piping and pickup loads.

DOE

DIMENSIONS

ALL DIMENSIONS IN INCHES

Boiler model	Optional tankless heater ⑨	I=W=H Intermittent draw rating (40F to 140F)
OST-3	35-S-29	3.25 GPM
OST-4		3.50 GPM
OST-5		3.75 GPM
OST-6		4.00 GPM
Tankless heater tappings are 3/4" NPT, with 3/4" NPT tapping for tankless temperature control.		

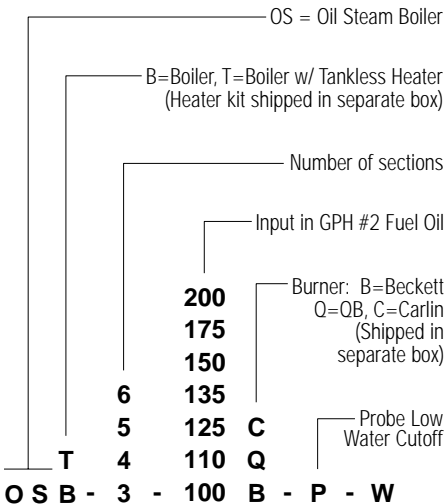


- ① Supply piping one (note 1)
- ② Supply piping two, OSB-6 only (note 1)
- ③ Return piping (note 1)
- ④ Relief valve, 3/4" NPT
- ⑤ Vent connection — 7" diameter
- ⑥ Pressure limit control
- ⑦ Oil burner (shipped in separate carton)
- ⑧ Probe-type low water cutoff
- ⑨ Tankless coil & temp. control (when used)
- ⑩ Pressure gauge

Note 1: Boiler supply tappings are 2 1/2" NPT. Return tapping is 1 1/2" NPT on all boiler sizes. Install one 2 1/2" supply riser for models OSB-3, OSB-4 and OSB-5; two 2 1/2" supply risers for size OSB-6.

Note 2: If field-installing a float low water cutoff, it must be installed in the gauge glass tappings. No other tappings are usable for float low water cutoffs.

ORDER CODE



EQUIPMENT

- Factory-tested
 - Factory-assembled cast iron section assembly, including aluminized steel flue collector, swing-away burner mounting door, refractory blanket and recessed target wall in combustion chamber
 - Flame-retention oil burner (Beckett AFG, Weil-McLain QB, or Carlin EZ)
 - High limit pressure control
 - Probe low water cutoff
 - Pressure gauge
 - Siphon
 - Gauge glass, gauge cocks and guards
 - 15 PSIG ASME relief valve
 - Drain valve
 - Barometric damper
- OPTIONAL**
- Two-stage oil burner fuel unit
 - Tankless heater, shipped in separate carton

WARRANTY

- Ten-year limited warranty on cast iron sections
- 3-year limited warranty on parts
- Optional 5- or 10-year parts and labor warranty



1819 W. Elizabeth Ave. ■ Linden, NJ 07036

www.unionsteam.com

(908) 862-4455

Fax (908) 862-3106

Form US-001 (0505)