

UNION STEAM

GWA

Gas-fired Water Boilers

- ❑ Factory tested
- ❑ Easy service
 - One-piece access door
 - All controls in easy reach
- ❑ High efficiency
 - Flue baffles
 - Stainless steel burners
 - Automatic vent damper
- ❑ Cast iron sections with built-in air separator
- ❑ Insulated heavy-gauge steel jacket
- ❑ Limited lifetime warranty

- ❑ Factory-packaged
- ❑ 52,000 to 245,000 Btuh Input
Natural or propane gas
- ❑ Atmospheric (chimney) venting



RATINGS



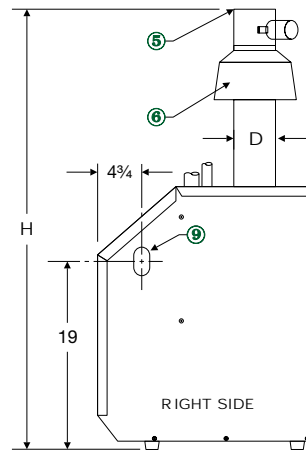
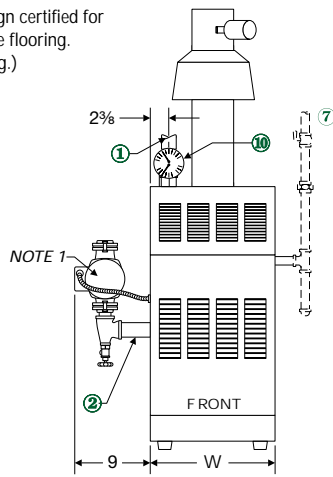
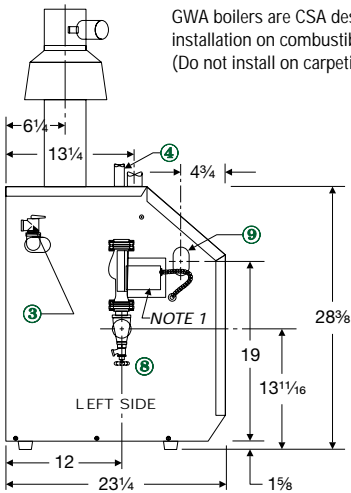
Boiler model number	0–2,000 feet altitude		2,000–4,500 feet altitude (Canada) ③		Net I=B=R ratings	Boiler water content Gallons	DOE Seasonal efficiency ①			Chimney/breeching size x 20" high	Circulator flange size (Recommended supply & return pipe size, NPT)
	Input	Output (DOE Heating Capacity)	Input	Output			% A.F.U.E ②				
	Btuh	Btuh ②	Btuh	Btuh			N-S	L-S	N-I		
GWA-052	52,000	41,600	46,800	37,400	37,000	1.5	80.2	80.4	83.0	4" I.D.	¾"
GWA-070	70,000	56,400	63,000	50,400	50,000	1.5	80.1	80.7	82.2	4" I.D.	1"
GWA-105	105,000	84,000	94,500	75,600	77,000	2.1	80.4	81.4	82.9	5" I.D.	1"
GWA-140	140,000	112,800	126,000	100,800	102,000	2.7	80.4	81.5	82.5	6" I.D.	1"
GWA-175	175,000	140,000	157,000	126,000	126,000	3.3	80.5	81.6	82.2	6" I.D.	1¼"
GWA-210	210,000	168,000	189,000	151,200	151,000	3.8	80.5	81.7	81.8	7" I.D.	1¼"
GWA-245	245,000	196,000	220,000	176,400	176,000	4.4	80.5	81.8	81.4	7" I.D.	1½"

① See ORDER CODES below for model suffix explanation.
 ② Based on standard test procedures prescribed by the United States Department of Energy.
 ③ Contact your dealer regarding information and parts for high altitude applications.
 ④ Net I=B=R ratings are based on net installed radiation of sufficient quantity for the requirements of the building and nothing need be added for normal piping and pickup. Ratings are based on a piping and pickup allowance of 1.15. Additional allowance should be made for unusual piping and pickup loads.

DOE

DIMENSIONS

ALL DIMENSIONS IN INCHES



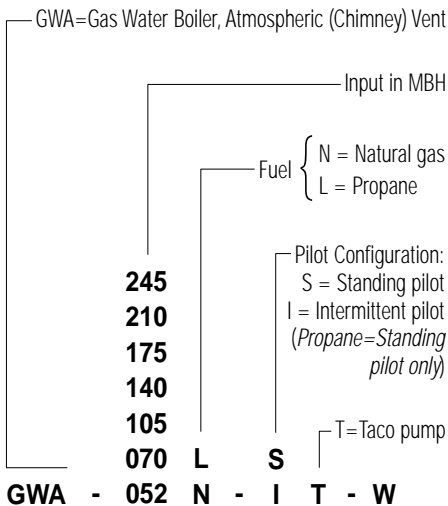
Boiler model	Dimensions		
	W Width	H Height over vent damper	D Flue diameter
GWA-052	10	45 3/8"	4
GWA-070	10	52 3/8"	4
GWA-105	13	54 3/8"	5
GWA-140	16	57 7/8"	6
GWA-175	19	60 7/8"	6
GWA-210	22	62 1/8"	7
GWA-245	25	64 7/8"	7

- ① Supply piping (Note 1)
- ② Return piping (Note 1)
- ③ Relief valve, 3/4" NPT
- ④ 1/2" NPT to expansion tank/air vent
- ⑤ Vent connection to vent damper
- ⑥ Draft hood
- ⑦ Gas supply piping
- ⑧ Drain valve
- ⑨ Gas supply entrance (right or left side)
- ⑩ Pressure/temperature gauge (in tee on supply)

Note 1: Boiler supply and return tappings are 1 1/2" NPT. Circulator flanges shipped with boiler are sized to recommended pipe size listed in RATINGS table, above.

Boiler circulator is shipped loose. Circulator may be mounted on either boiler supply or return piping.

ORDER CODE



EQUIPMENT

- Factory tested
 - Insulated heavy-gauge steel jacket
 - Cast iron sections with built-in air separator
 - Vertical draft hood
 - Electrical junction box
 - 24-VAC combination gas valve
 - Combination relay receptacle and 40VA transformer and plug-in circulator relay
 - Taco 007 circulator
 - Stainless steel burners
 - High temperature limit control
 - Automatic vent damper
 - 30 PSIG ASME relief valve
 - Combination pressure/temperature gauge
- STANDING PILOT MODELS**
- Constant-burning pilot system, thermally-supervised
- INTERMITTENT PILOT MODELS**
- Spark-ignited (intermittent) pilot system
 - Electronic ignition/flame supervisory control

WARRANTY

- Limited lifetime warranty on heat exchanger
- 1-year limited warranty on parts
- Optional 5- or 10-year parts and labor warranty

1819 W. Elizabeth Ave. • Linden, NJ 07036

www.unionsteam.com

(908) 862-4455

Fax (908) 862-3106

Form US-001 (0505)