

# UNION STEAM

# GW I

## Gas-fired Water Boilers

- ❑ Versatile
  - Induced-draft design allows sidewall or chimney venting
- ❑ Compact design
- ❑ Factory tested
- ❑ Easy service
  - One-piece access door
  - All controls in easy reach
  - Color-coded wiring
- ❑ High efficiency
  - AFUE's to 83.3%
  - Spark-ignited pilot with electronic control
- ❑ Cast iron sections with built-in air separator
- ❑ Insulated heavy-gauge steel jacket

- ❑ Induced-draft combustion system
- ❑ Factory-packaged
- ❑ 47,500 to 190,000 Btuh Input  
Natural or propane gas



**U.S. UNION STEAM**

## RATINGS



Boiler model number	0–2,000 feet altitude		2,000–4,500 feet altitude (Canada) ①		Net I=B=R ratings	Boiler water content Gallons	DOE seasonal efficiency % A.F.U.E ②	Vent size: Direct exhaust venting	Chimney/breeching size: Atmospheric venting	Circulator flange size (Recommended supply & return pipe size, NPT)
	Input	Output (DOE Heating Capacity)	Input	Output						
	Btuh	Btuh ②	Btuh	Btuh						
<b>GWI-047</b>	47,500	40,000	42,300	36,000	35,000	1.5	83.0	3"	4"	¾"
<b>GWI-063</b>	63,000	53,000	56,700	47,700	46,000	1.5	83.3	3"	4"	1"
<b>GWI-095</b>	95,000	79,000	85,500	71,100	69,000	2.1	83.0	3"	5"	1"
<b>GWI-127</b>	127,000	106,000	114,300	95,400	92,000	2.7	82.7	3"	5"	1"
<b>GWI-158</b>	158,000	131,000	142,200	118,000	114,000	3.3	82.4	3"	5"	1¼"
<b>GWI-190</b>	190,000	157,000	171,000	141,000	137,000	3.8	82.1	3"	5"	1¼"

① Contact your dealer regarding information and parts for high altitude applications.  
 ② Based on standard test procedures prescribed by the United States Department of Energy.  
 ③ Net I=B=R ratings are based on net installed radiation of sufficient quantity for the requirements of the building and nothing need be added for normal piping and pickup. Ratings are based on a piping and pickup allowance of 1.15. Additional allowance should be made for unusual piping and pickup loads.

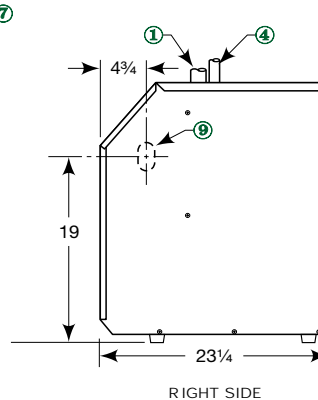
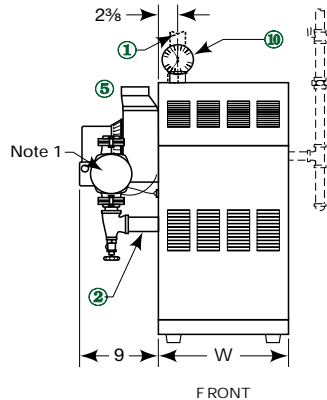
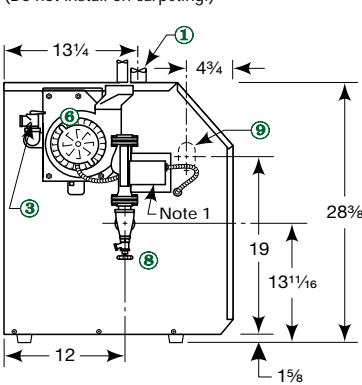
DOE

## DIMENSIONS

ALL DIMENSIONS IN INCHES

GWI boilers are CSA design certified for installation on combustible flooring. (Do not install on carpeting.)

**VENTING:** When connecting boiler as direct exhaust, use only AL29-4C venting per instructions in Boiler Manual.



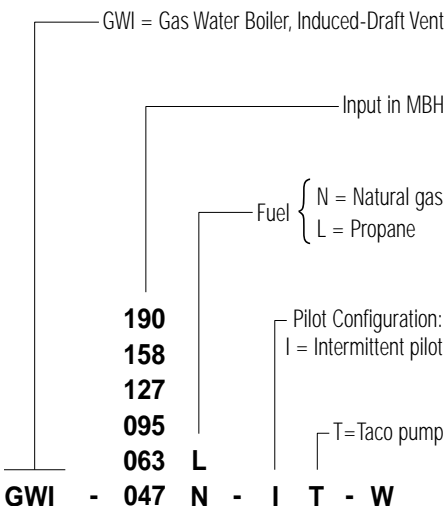
Boiler model	W
	Width
<b>GWI-047</b>	10
<b>GWI-063</b>	10
<b>GWI-095</b>	13
<b>GWI-127</b>	16
<b>GWI-158</b>	19
<b>GWI-190</b>	22

- ① Supply piping (Note 1)
- ⑥ Inducer
- ② Return piping (Note 1)
- ⑦ Gas supply piping
- ③ Relief valve, ¾" NPT
- ⑧ Drain valve
- ④ ½" NPT to expansion tank/air vent
- ⑨ Gas supply entrance (right or left side)
- ⑤ Vent connection, 3" diameter
- ⑩ Pressure/temperature gauge (in tee on supply)

Note 1: Boiler supply and return tappings are 1½" NPT. Circulator flanges shipped with boiler are sized to recommended pipe size listed in RATINGS table, above.

Boiler circulator is shipped loose. Circulator may be mounted on either boiler supply or return piping.

## ORDER CODE



## EQUIPMENT

- Factory tested
- Insulated extended steel jacket
- Cast iron sections with built-in air separator
- Induced-draft blower assembly
- Air pressure switch
- Stainless steel burners
- Electrical junction box
- 24-VAC combination gas valve
- Combination relay receptacle and 40VA transformer and plug-in circulator relay
- Taco 007 circulator
- High temperature limit control
- 30 PSIG ASME relief valve
- Combination pressure/temperature gauge
- Spark-ignited (intermittent) pilot system
- Electronic ignition/flame supervisory control

## WARRANTY

- Limited lifetime warranty on heat exchanger
- 1-year limited warranty on parts
- Optional 5- or 10-year parts and labor warranty



1819 W. Elizabeth Ave. ■ Linden, NJ 07036  
 www.unionsteam.com (908) 862-4455

Fax (908) 862-3106

Form US-001 (0505)